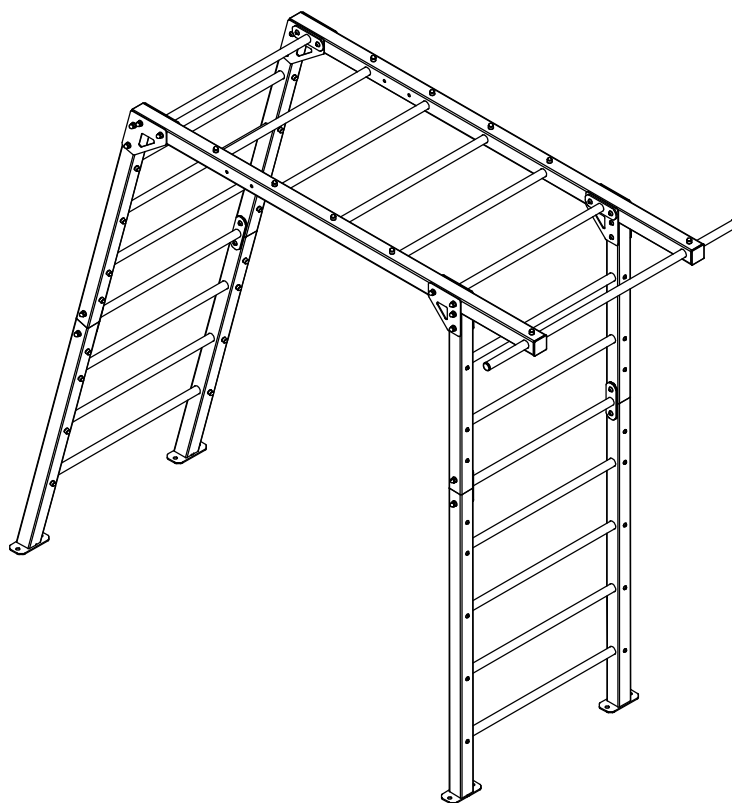


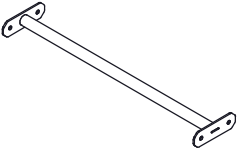
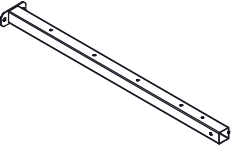
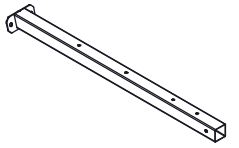
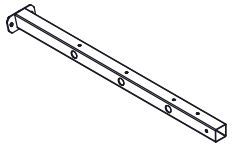
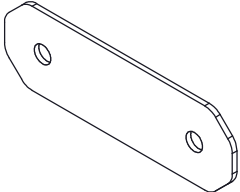
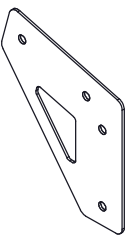
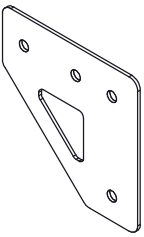
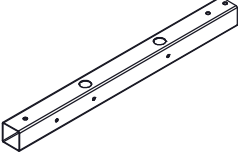
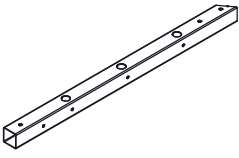
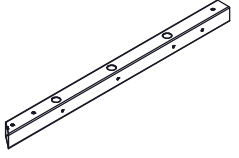
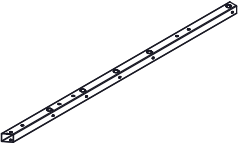
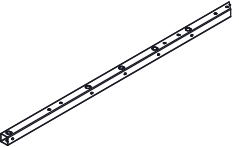
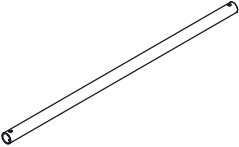
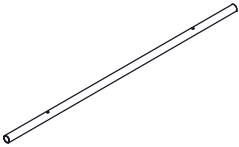
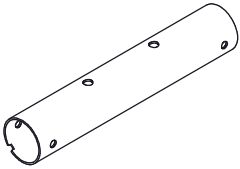
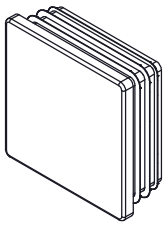
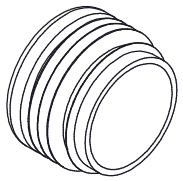
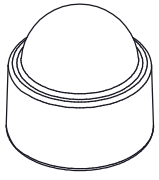
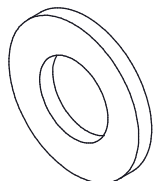
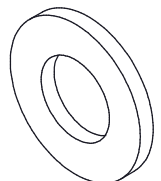
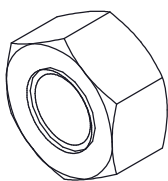
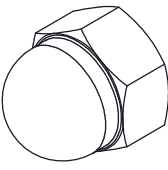
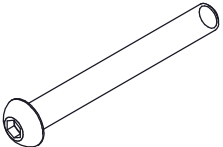
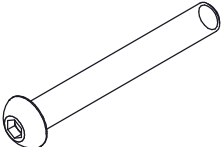
MARBO SPORT

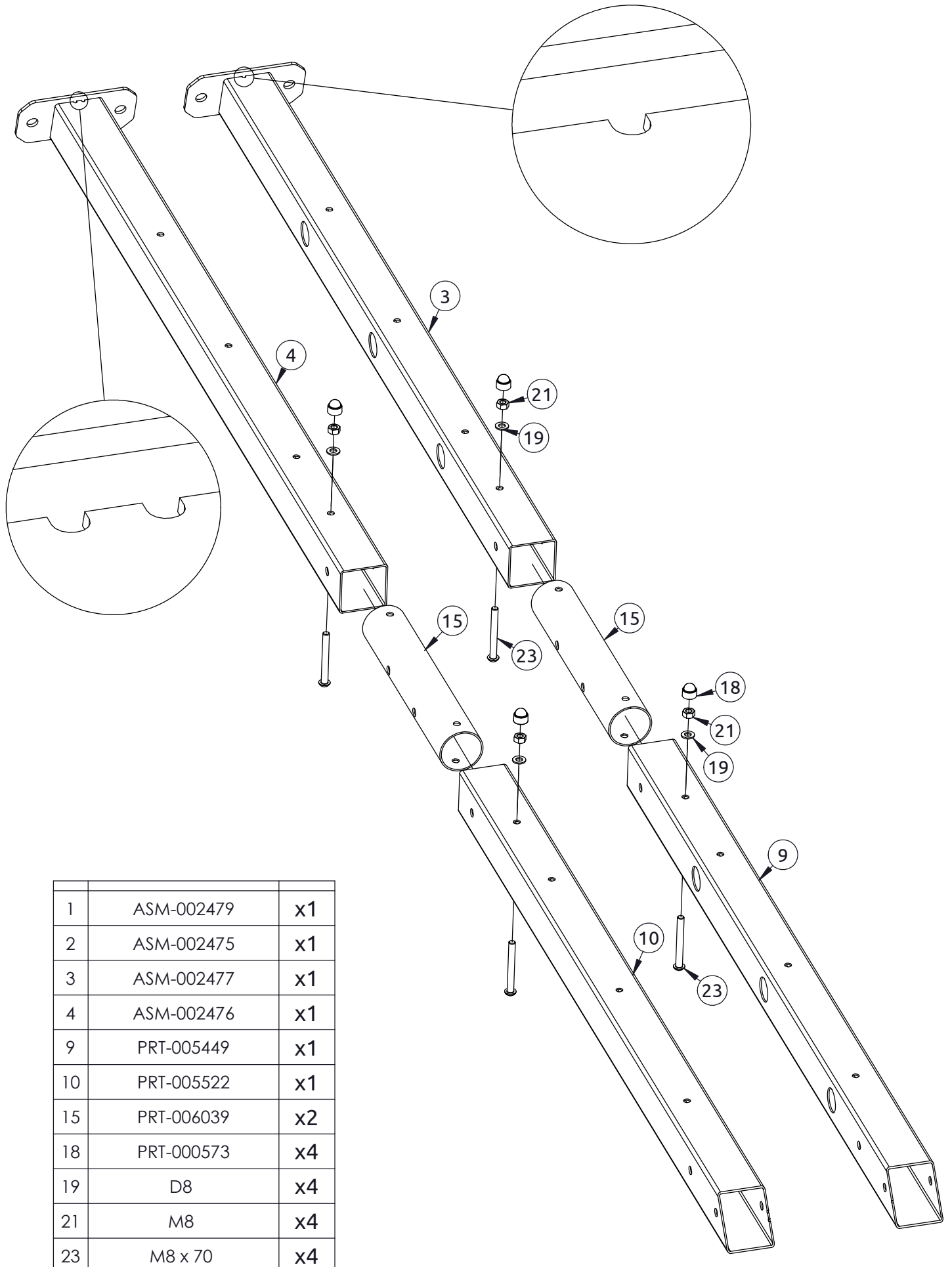


**MAX
200 KG**

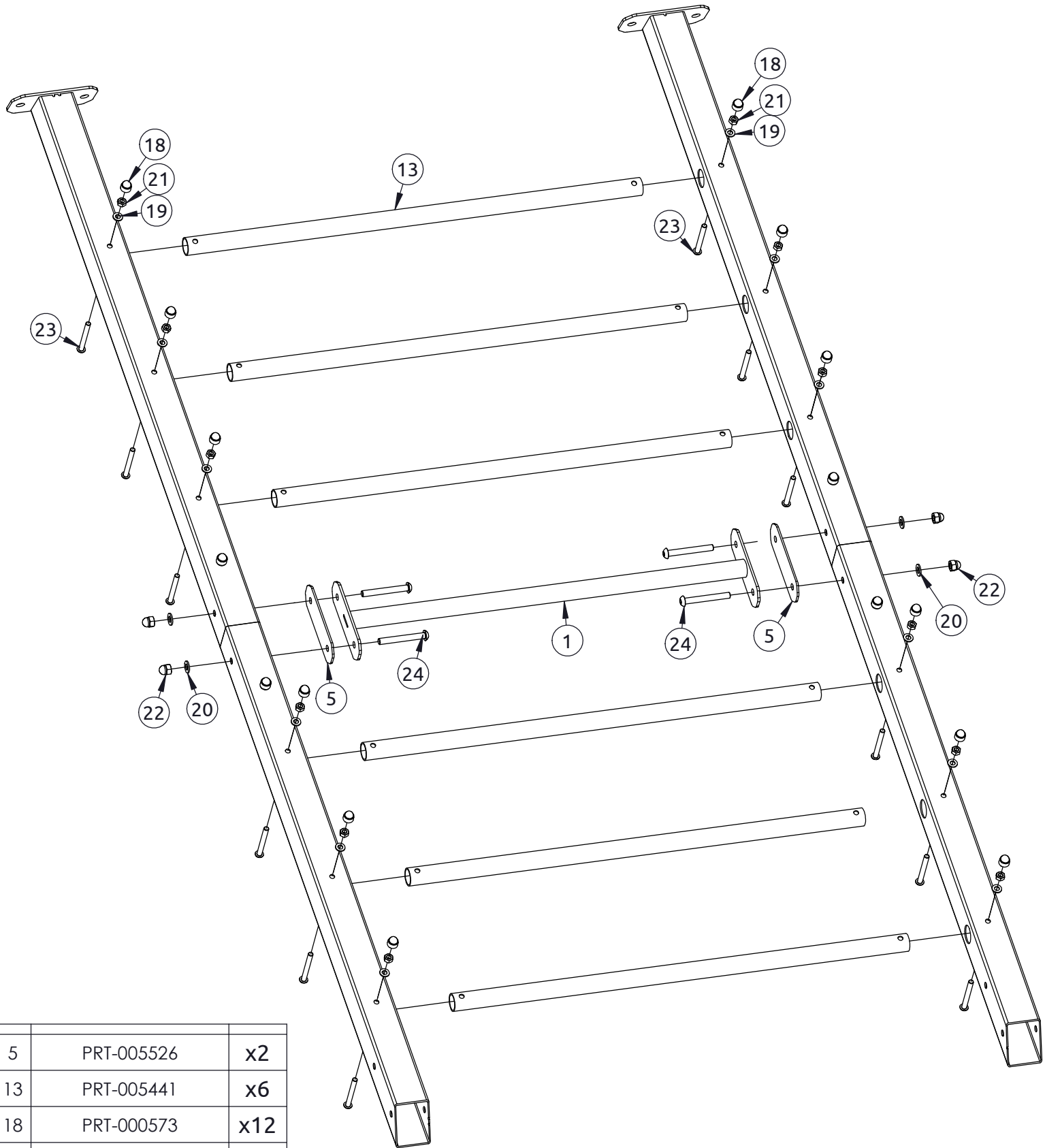
MO-016 2.0

Stückliste / Parts list / Seznam dílů / Lista części / Комплектация /
 Liste de pieces

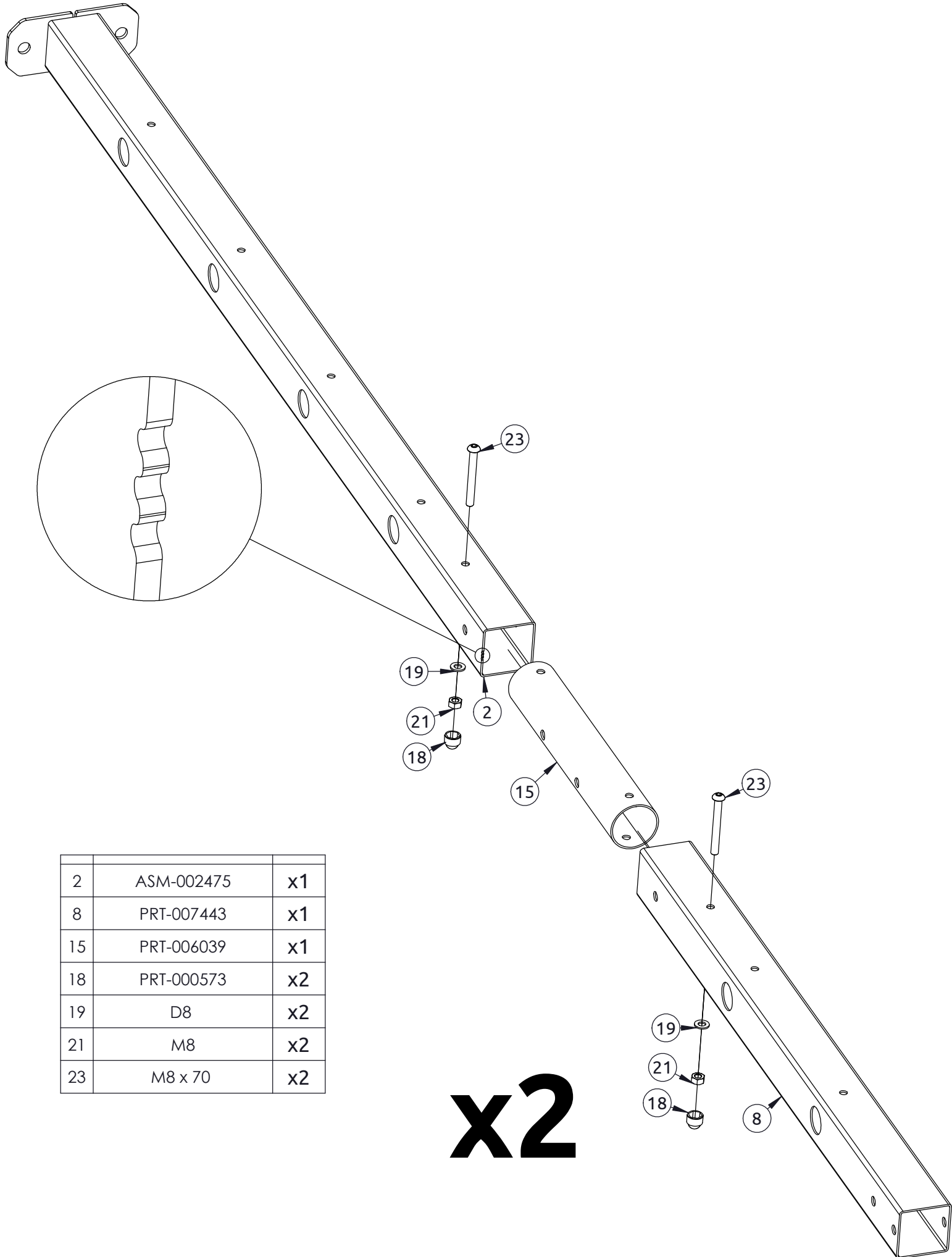
1 ASM-002479  x4	2 ASM-002475  x2	3 ASM-002477  x1	4 ASM-002476  x1	5 PRT-005526  x4
6 PRT-005505  x4	7 PRT-005518  x4	8 PRT-007443  x2	9 PRT-005449  x1	10 PRT-005522  x1
11 PRT-005523  x1	12 PRT-005447  x1	13 PRT-005441  x16	14 PRT-005445  x1	15 PRT-006039  x4
16 PRT-000580  x2	17 PRT-000459  x2	18 PRT-000573  x42	19 D8  x42	20 D10  x24
21 M8  x42	22 M10  x24	23 M8 x 70  x42	24 M10 x 80  x24	



1	ASM-002479	x1
2	ASM-002475	x1
3	ASM-002477	x1
4	ASM-002476	x1
9	PRT-005449	x1
10	PRT-005522	x1
15	PRT-006039	x2
18	PRT-000573	x4
19	D8	x4
21	M8	x4
23	M8 x 70	x4

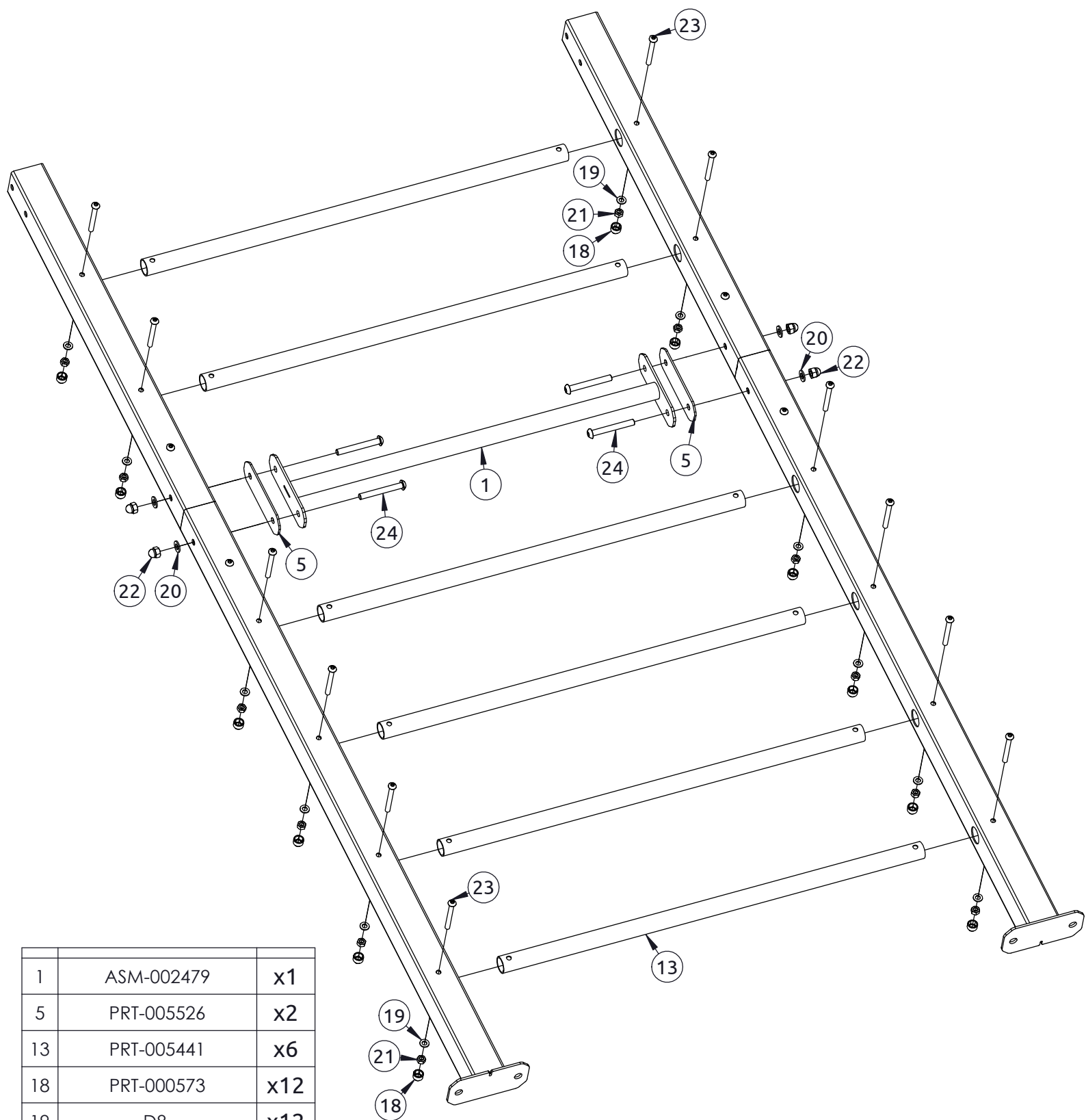


5	PRT-005526	x2
13	PRT-005441	x6
18	PRT-000573	x12
19	D8	x12
20	D10	x4
21	M8	x12
22	M10	x4
23	M8 x 70	x12
24	M10 x 80	x4

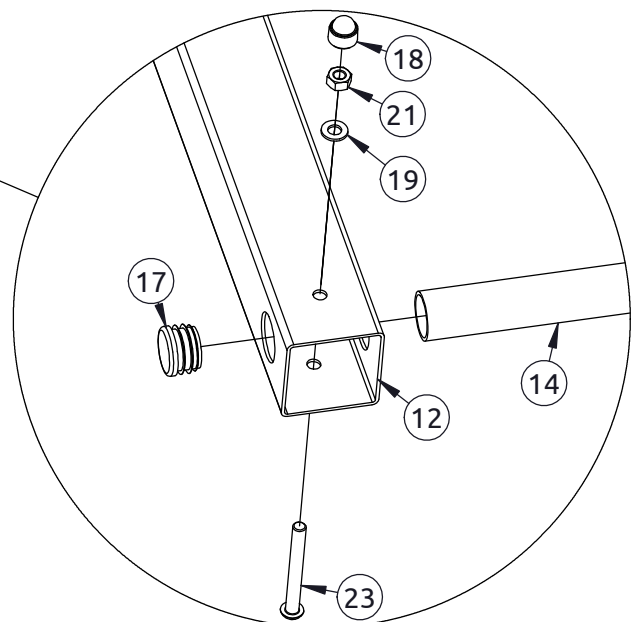
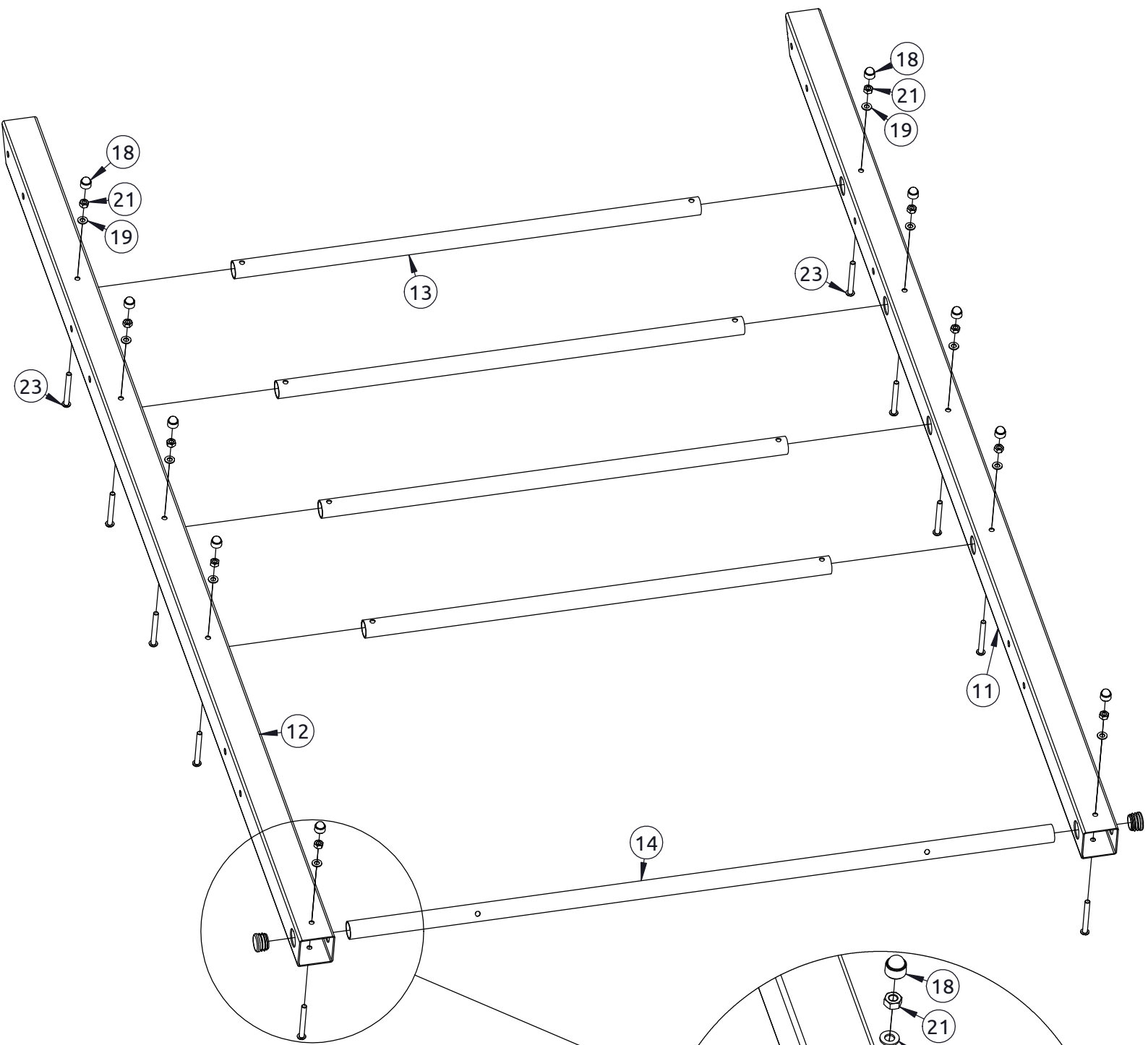


2	ASM-002475	x1
8	PRT-007443	x1
15	PRT-006039	x1
18	PRT-000573	x2
19	D8	x2
21	M8	x2
23	M8 x 70	x2

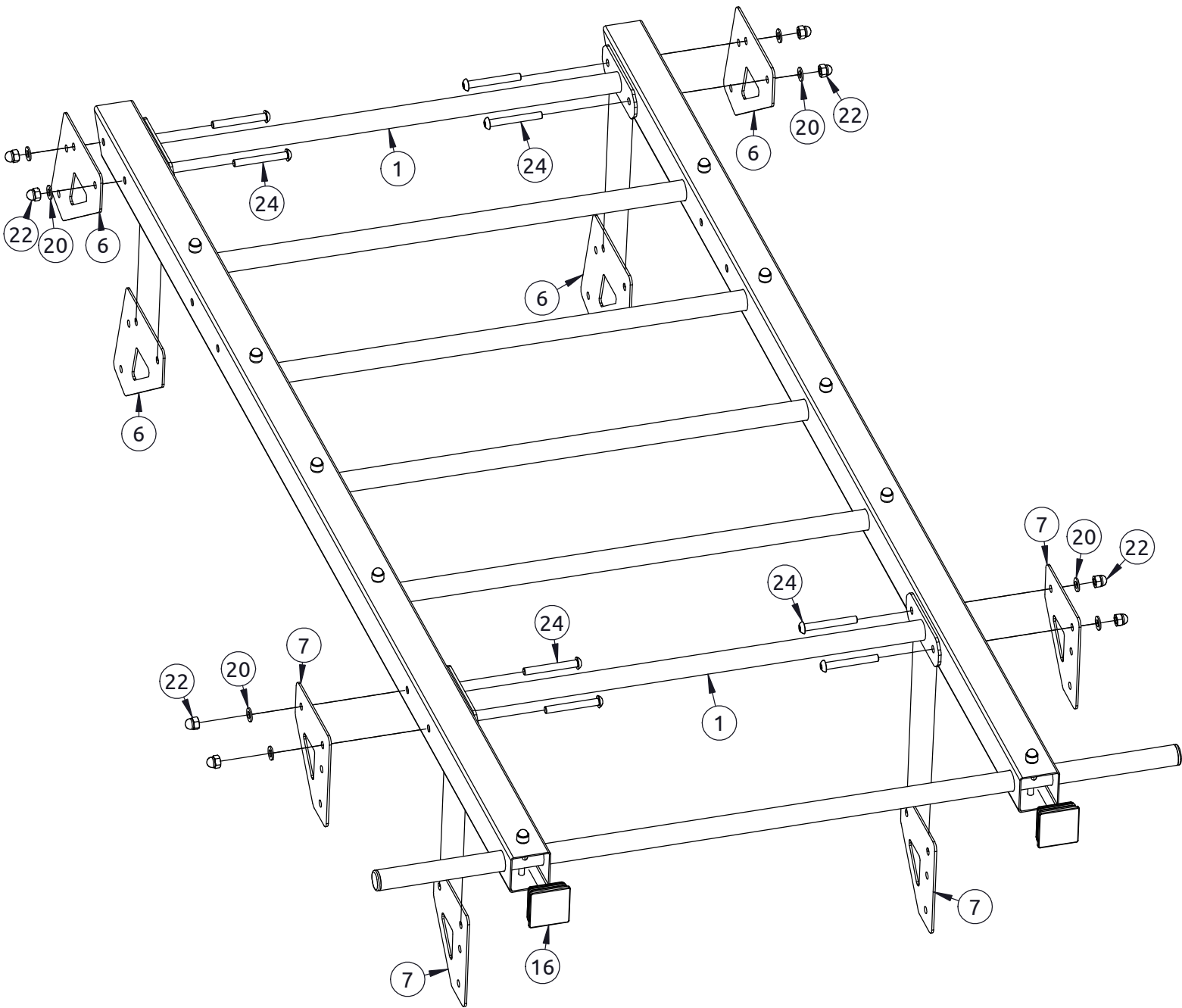
x2



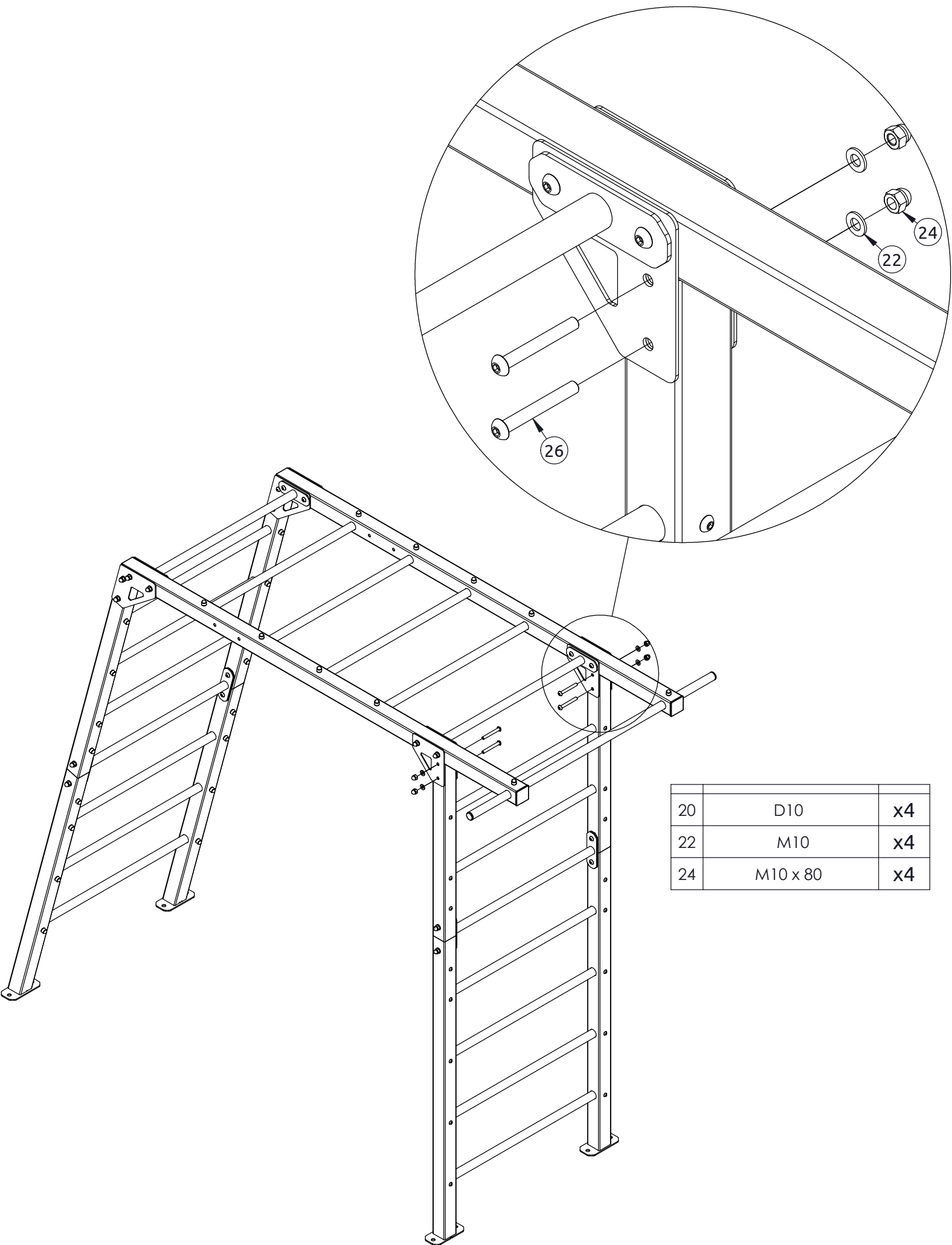
1	ASM-002479	x1
5	PRT-005526	x2
13	PRT-005441	x6
18	PRT-000573	x12
19	D8	x12
20	D10	x4
21	M8	x12
22	M10	x4
23	M8 x 70	x12
24	M10 x 80	x4



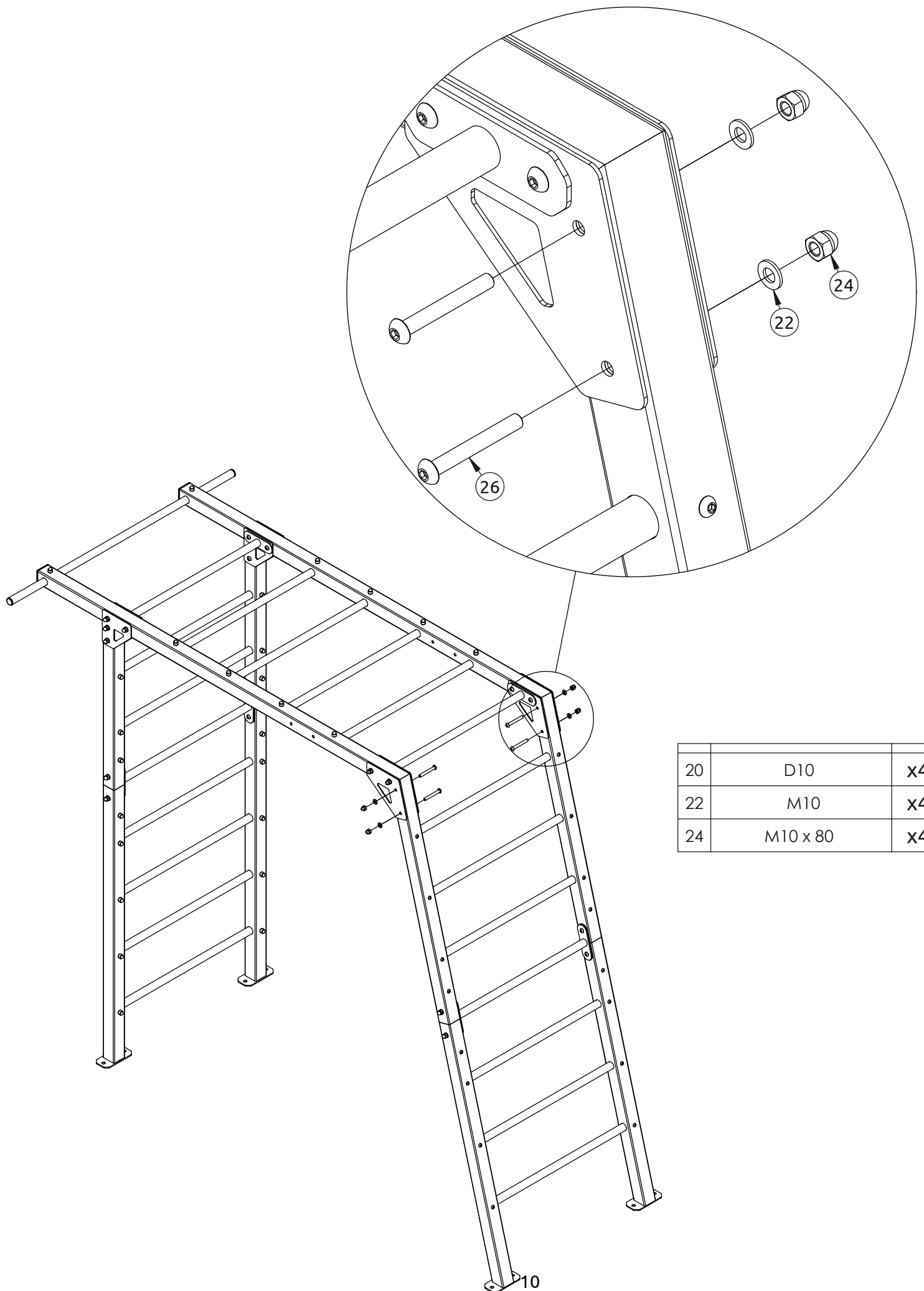
11	PRT-005523	x1
12	PRT-005447	x1
13	PRT-005441	x4
14	PRT-005445	x1
17	PRT-000459	x2
18	PRT-000573	x10
19	D8	x10
21	M8	x10
23	M8 x 70	x10



1	ASM-002479	
6	PRT-005505	x4
7	PRT-005518	x4
16	PRT-000580	x2
20	D10	x8
22	M10	x8
24	M10 x 80	x8



20	D10	x4
22	M10	x4
24	M10 x 80	x4



20	D10	x4
22	M10	x4
24	M10 x 80	x4

PL Kotwiczenie do podłoża
EN Anchoring to the ground
DE Verankerung im Boden
FR Ancrage au sol
RO Ancorarea la sol
IT Ancoraggio al suolo
ES Ankurdamine maapinna külge

NL Verankering aan de grond
HU Horgonyzás a talajhoz
RU Крепление к земле
CZ Ukotvení k zemi
SK Ukotvenie k zemi
SV Förankring i marken

